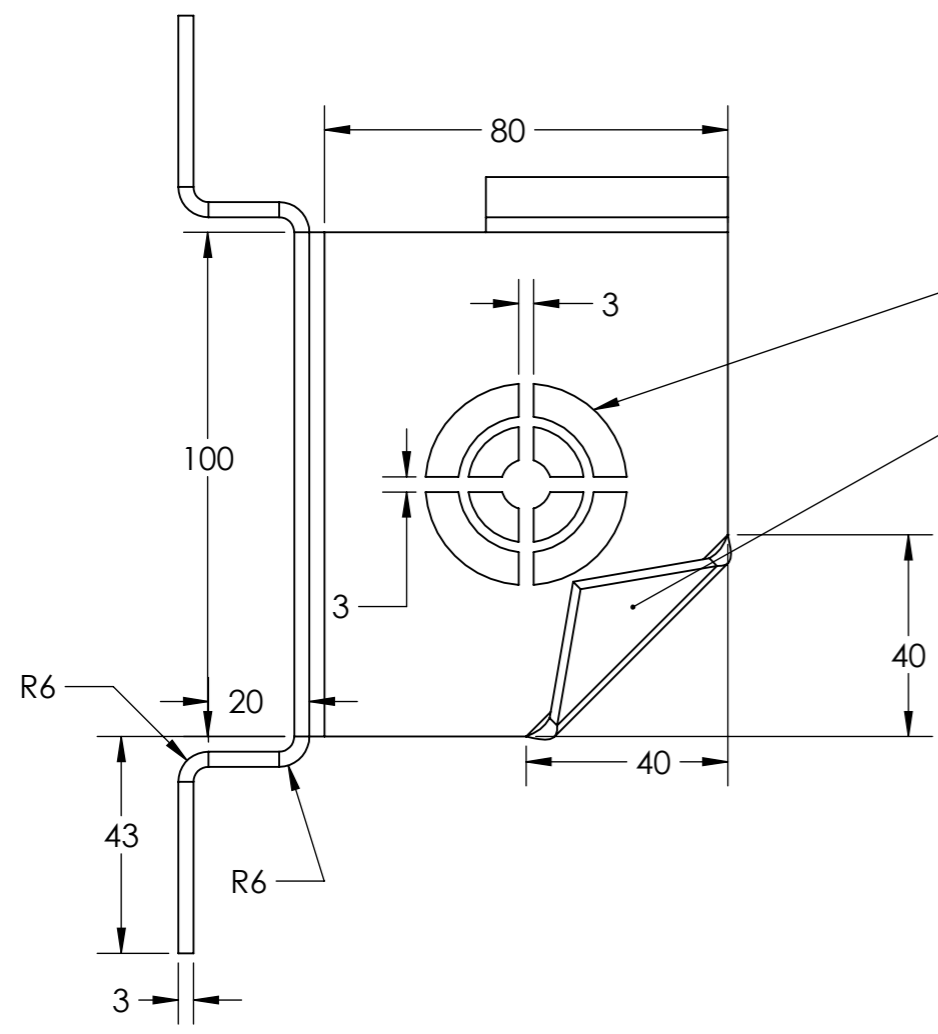


8 7 6 5 4 3 2 1

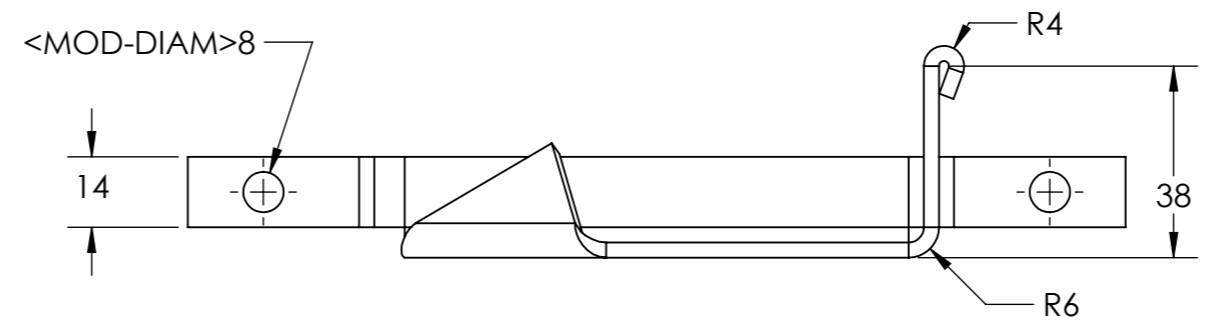
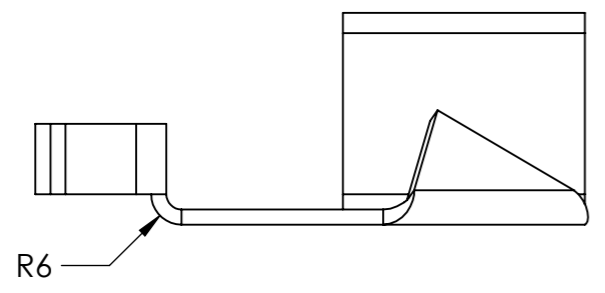
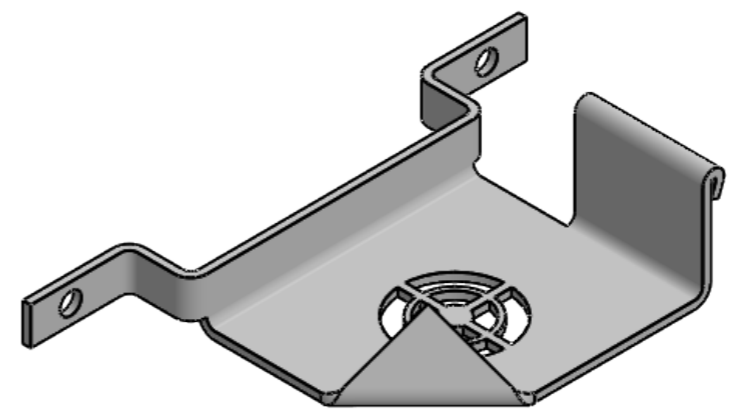
F
E
D
C
B
A

F
E
D
C
B
A



40mm, 25mm, 10mm dia

135 deg, 2mm rad



UNLESS OTHERWISE SPECIFIED: DIMENSIONS ARE IN MILLIMETERS SURFACE FINISH: TOLERANCES: LINEAR: ANGULAR:			FINISH:		DEBURR AND BREAK SHARP EDGES		DO NOT SCALE DRAWING		REVISION		
DRAWN			NAME		SIGNATURE		DATE		TITLE:		
CHK'D											
APPV'D											
MFG											
Q.A							MATERIAL:		DWG NO. 5		A3
							WEIGHT:		SCALE:1:2		SHEET 1 OF 1

8 7 6 5 4 3 2 1