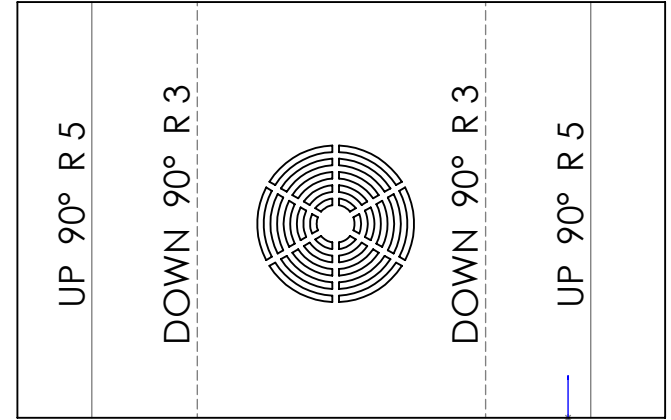
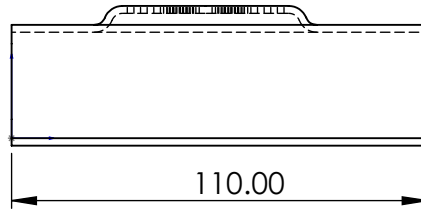
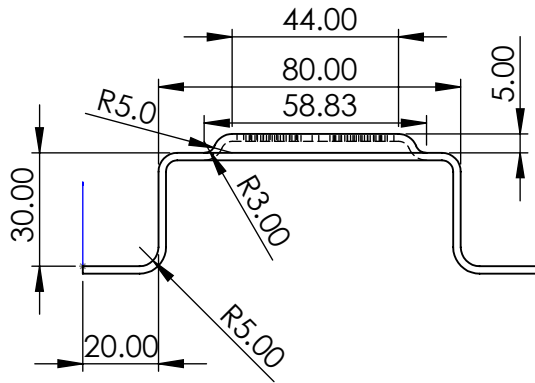


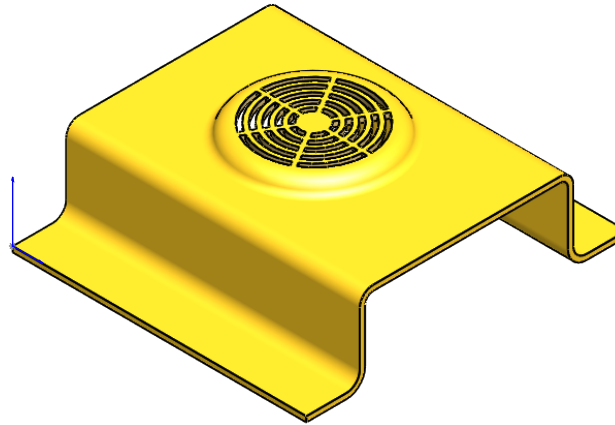
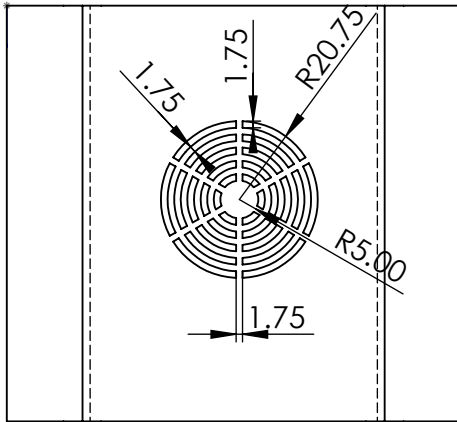
2

1

B



B



A

A

PROPRIETARY AND CONFIDENTIAL
 THE INFORMATION CONTAINED IN THIS DRAWING IS THE SOLE PROPERTY OF <INSERT COMPANY NAME HERE>. ANY REPRODUCTION IN PART OR AS A WHOLE WITHOUT THE WRITTEN PERMISSION OF <INSERT COMPANY NAME HERE> IS PROHIBITED.

		UNLESS OTHERWISE SPECIFIED:		NAME	DATE	<COMPANY NAME>	
		DIMENSIONS ARE IN INCHES	DRAWN			TITLE:	
		TOLERANCES:	CHECKED			SOLIDWORKS	
		FRACTIONAL	ENG APPR.			ADVANCED	
		ANGULAR: MACH BEND	MFG APPR.			SIZE	DWG. NO.
		TWO PLACE DECIMAL	Q.A.			A	REV
		THREE PLACE DECIMAL	COMMENTS:			SCALE: 1:2	SHEET 1 OF 1
		INTERPRET GEOMETRIC TOLERANCING PER:					
		MATERIAL					
	NEXT ASSY	USED ON					
		FINISH					
	APPLICATION		DO NOT SCALE DRAWING				

2

1